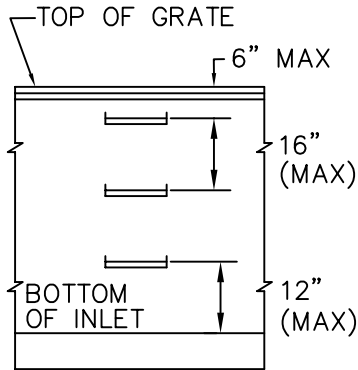
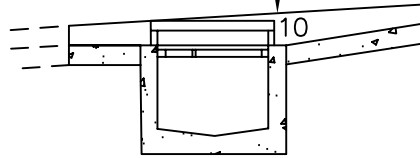


SIDE WEEPHOLE DETAIL



STEP DETAIL

WHERE CURB GRADE UPSTREAM IS 5% OR GREATER DEPRESS UPSTREAM EDGE OF GRATE TO 10"



DETAIL FOR STEEP CURB SLOPE

NOTES:

1. CONSTRUCTION JOINTS ARE OPTIONAL WHERE SHOWN. KEY DIMENSIONS ARE 3/4 IN. BY 1-1/2 IN.
2. WHERE DIMENSION 'H' EXCEEDS 6 FT. USE A MANHOLE BASE WITH A TYPE A INLET TOP.
3. CONSTRUCTION JOINTS ARE ALLOWED WHERE THE TOP PORTION OF THE INLET IS TO BE CONSTRUCTED MONOLITHICALLY WITH CURB AND SIDEWALK. THE CONCRETE JOINT SHALL BE LOCATED AT PAVEMENT SUBGRADE.
4. WEEPHOLE DEPTH IS A MINIMUM OF 14 IN. BELOW THE GRATE AND MAY VARY WITH ROAD SECTION.
5. STEPS SHALL BE STEEL REINFORCED, POLYPROPYLENE PLASTIC IN ACCORDANCE WITH CAL OSHA.
6. ALL INLETS SHALL HAVE AN "ANTI-POLLUTION" THERMOPLASTIC DECAL APPLIED AS DIRECTED BY THE PUBLIC WORKS DIVISION MANAGER.

No	By	Revision

CITY OF SAN PABLO

ONE ALVARADO SQUARE, SAN PABLO, CA 94806
 (510) 215-3030 FAX 215-3031



Checked By: _____

Approved By: _____

 PUBLIC WORKS DIVISION MANAGER DATE

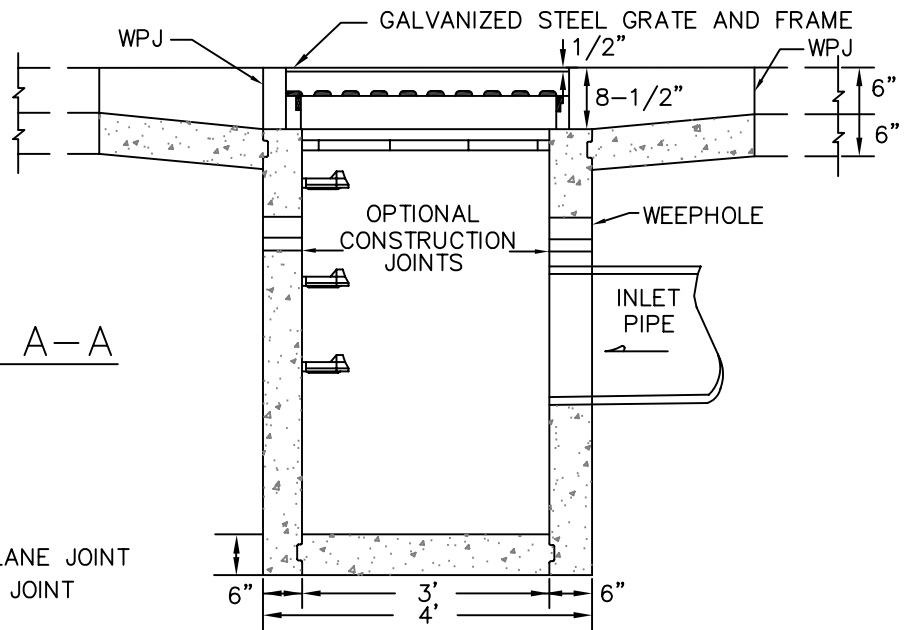
TYPE A INLET
 DETAILS AND NOTES

NO SCALE

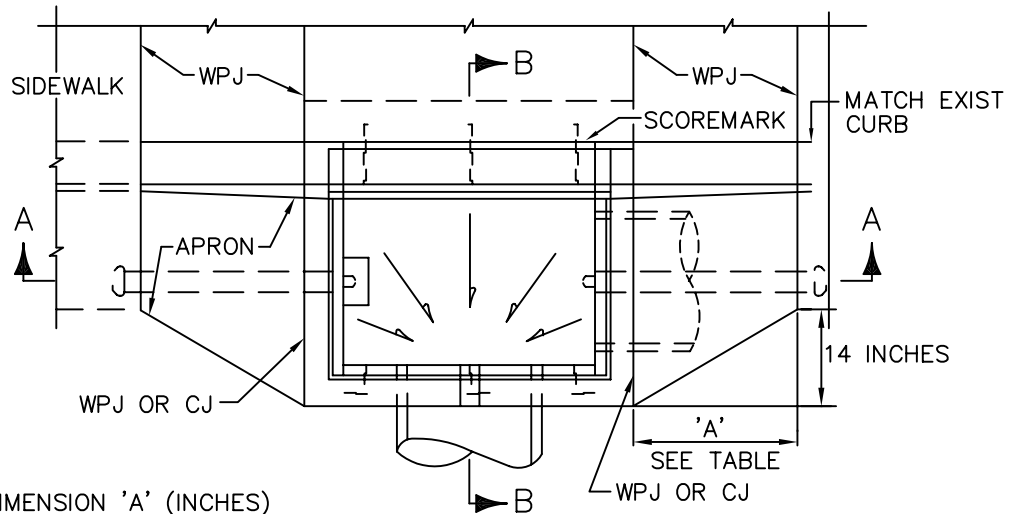
STD DET SD-03

SHEET 3 OF 3

SECTION A-A



WPJ: WEAKENED PLANE JOINT
CJ: CONSTRUCTION JOINT



PLAN

UPSTREAM CURB GRADE	DIMENSION 'A' (INCHES)		
	'A' UPSTREAM	'A' DOWNSTREAM	
2% AND LESS	24	24	
3%	36	24	
4%	48	24	
5%	60	24	
6%	72	24	SEE 'DETAIL FOR STEEP CURB SLOPE'
7%	84	12	SHEET 3
8%	96	12	
9%	108	12	
>10%	120	24	

No	By	Revision

CITY OF SAN PABLO

ONE ALVARADO SQUARE, SAN PABLO, CA 94806
(510) 215-3030 FAX 215-3031



Checked By: _____

Approved By: _____

PUBLIC WORKS DIVISION MANAGER _____ DATE _____

TYPE A INLET
PLAN AND SECTION

NO SCALE

STD DET SD-03

SHEET 1 OF 3

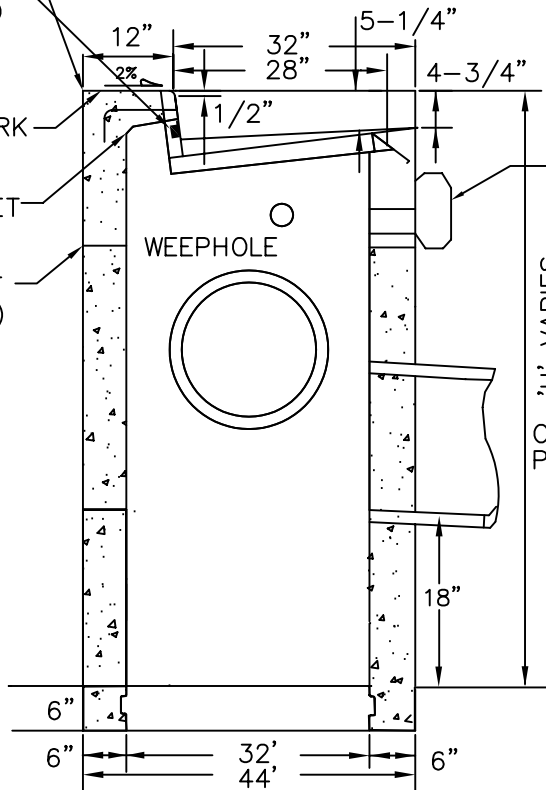
3/4" DIA. GALV. GUARD ROD

ROUND TO 1/8" RADIUS WHERE INLET & SIDEWALK ARE NOT CONSTRUCTED MONOLITHICALLY

JOINT SCOREMARK

5/8" FILLET

OPT CONST JOINT (TYP)

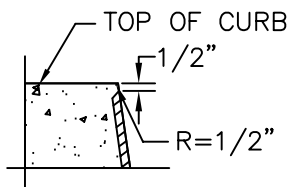


PLACE 1.0 CU FT OF CLASS 1 PERM MATERIAL WRAPPED IN FILTER FABRIC AT FRONT OF WEEPHOLE

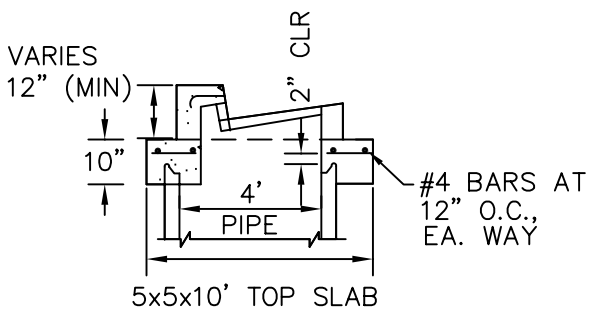
'H' VARIES 6' (MAX)

OUTLET PIPE

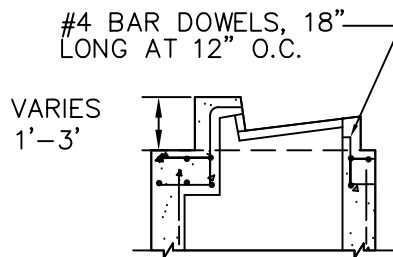
SECTION B-B



DETAIL



SECTION



SECTION

No	By	Revision

CITY OF SAN PABLO

ONE ALVARADO SQUARE, SAN PABLO, CA 94806
(510) 215-3030 FAX 215-3031



Checked By: _____

Approved By: _____

PUBLIC WORKS DIVISION MANAGER _____ DATE _____

TYPE A INLET
SECTION AND OPENINGS

NO SCALE

STD DET SD-03

SHEET 2 OF 3